

SEAWORTHINESS ASSIGNMENT CONSTRUCTION

NAME: _____

This assignment checks your progress understanding of the content of the Structure Lessons and Workbook.

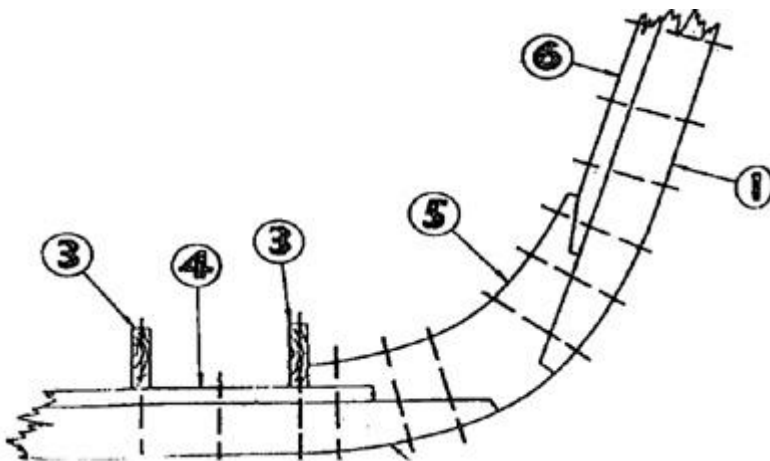
Monitor condition and seaworthiness of a small vessel up to 24 metres

Slip or dock a vessel and maintain hull on a vessel up to 80 metres

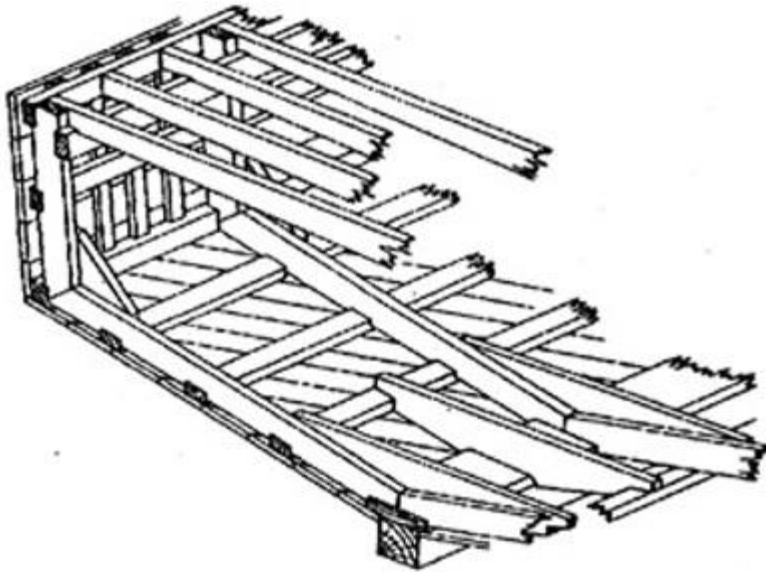
Question 1. Label five structural members on the drawing shown below.



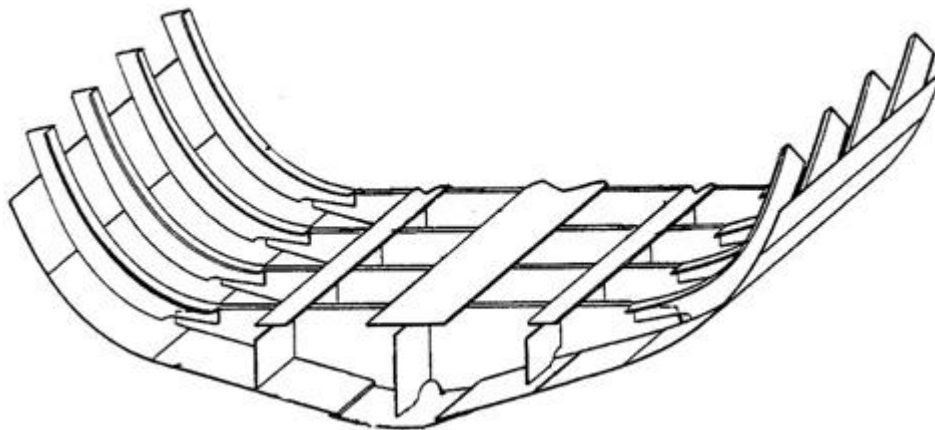
Question 2. Label five structural members on the drawing shown below.



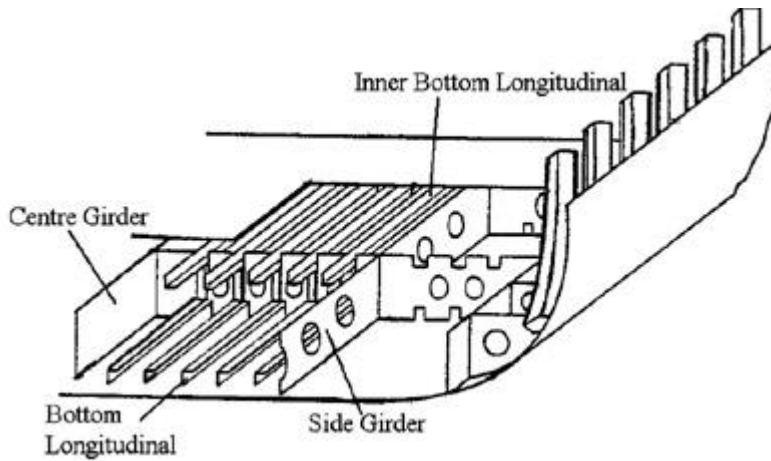
Question 3. Label five structural members on the drawing shown below.



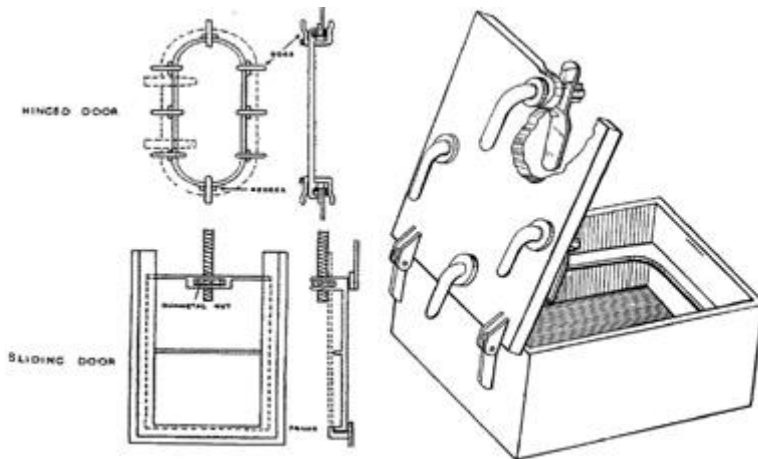
Question 4. Label five structural members on the drawing shown below.



Question 5. Label the shell plate, side frames, lightning holes, margin plate, turn of the bilge.



Question 6. How would you service and check these structures for watertight integrity?



Servicing=.....

Checks=.....

Question 7. The hawse decking is strengthened by a commonly used method called.....

